



DON'T IMPROPERLY USE THIS PRODUCT

Don't willfully dismantle, modify or process it. For any modification and maintenance, please use the parts list in product content to ensure structure safety. Please operate products within specified limit, overload is forbidden, and illegal purposes in violation of safety order are forbidden too.

IMPORTANT NOTICES

Note! The products are manufactured by batches after performances have been strictly demonstrated and practically tested to verify meeting safety standards, but personnel below 14 are forbidden to use it. For any use of remote-controlled model, the manufacturer or dealer won't bear any responsibility for accidents resulted from abnormal parts usage and wearing, improper assembling or operation under unsafe environment. Please be sure to operate this product under safe environment. This company won't bear property loss and personal injury resulted from improper operation/dismantling/modification on sold product.

NO.1582

The Company has the right of final interpretation of this instruction manual statement.

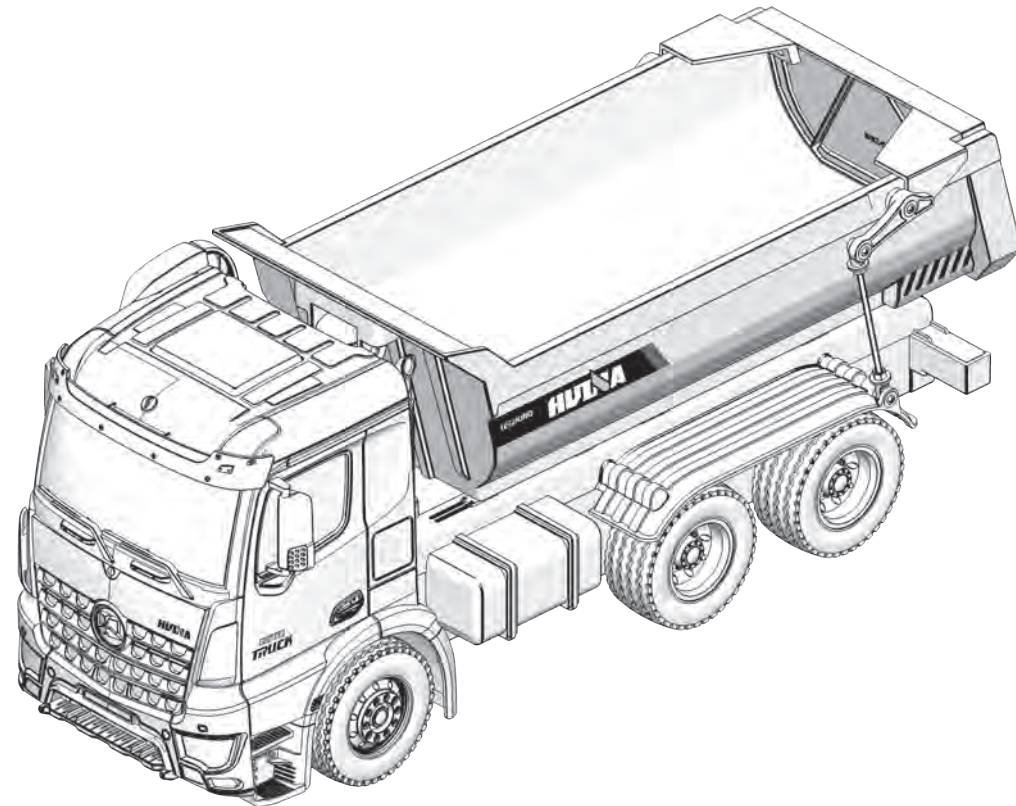
MADE IN CHINA



USER'S GUIDE

14+ AGES

PROFESSIONAL R/C DUMP TRUCK MODEL WITH 10 FUNCTIONS

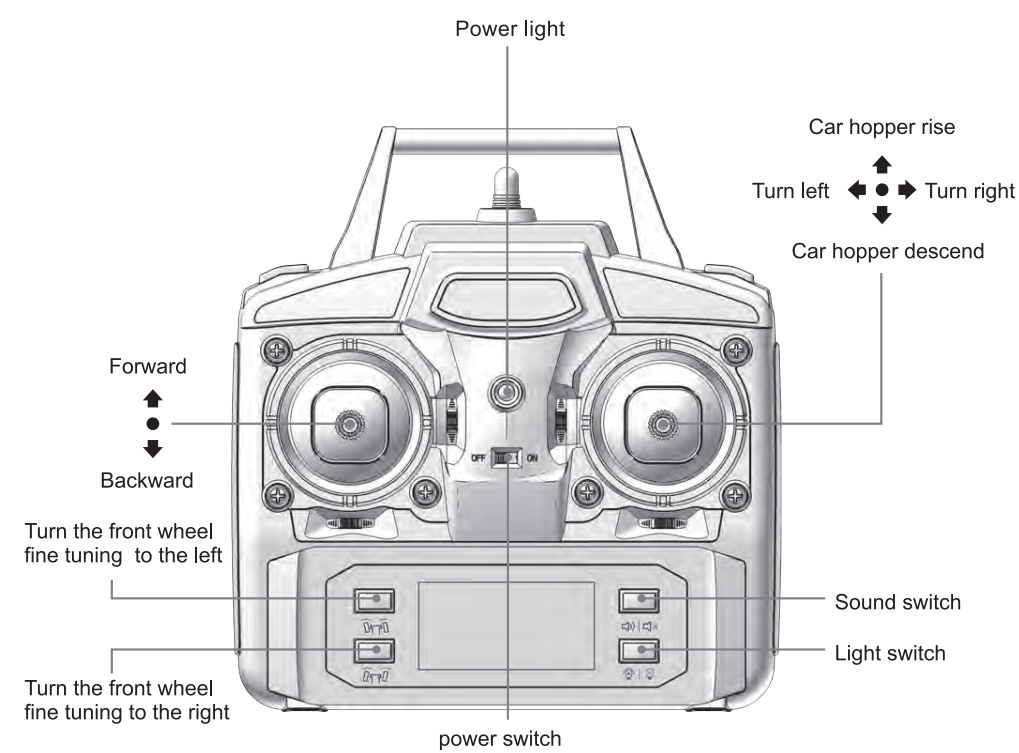


SCALE 1:14



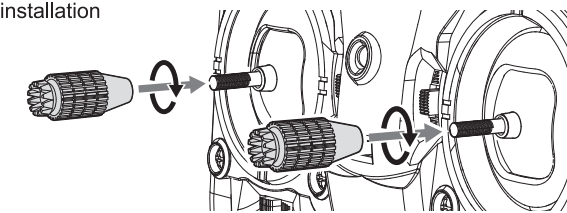
Thank you for purchasing this R/C model manufactured by Guangdong Huina Model Co., Ltd. Please read the instruction completely to gain using method.

Operation of remote control



Rocker installation

Screw the rocker into the remote control rocker interface as shown in the figure, the installation method is the same on both sides.

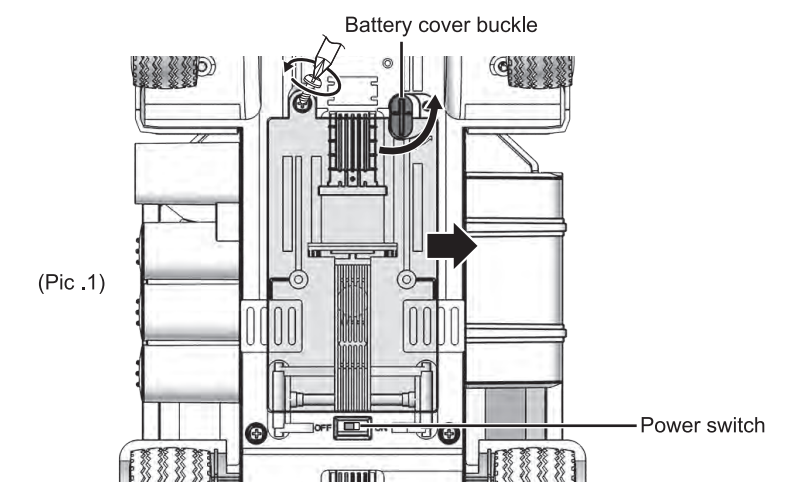


1

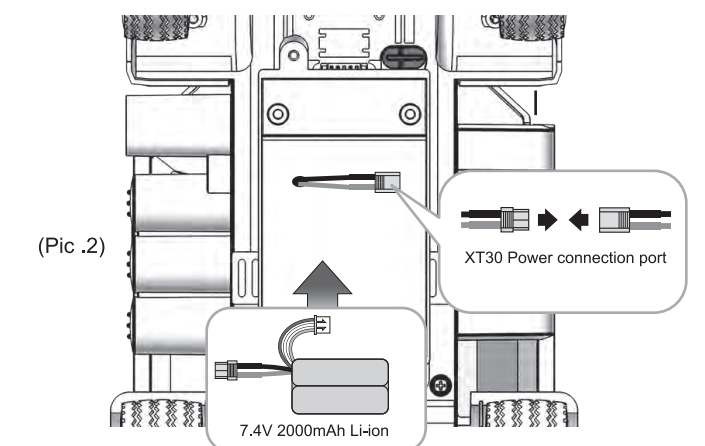


Installation of setting battery in truck

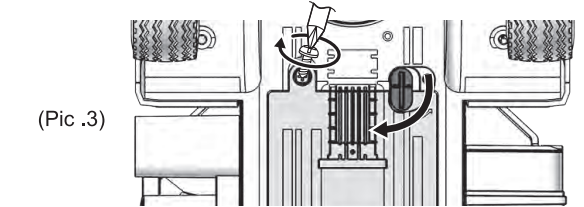
1. Loosen screw of battery cover by screwdriver, twist the buckle and take out battery cover.(Pic .1)



2. Connect rechargeable battery with power port of truck, then put it into the battery box.(Pic .2)



3. Install the battery cover, tighten the screw and twist the buckle back.(Pic .3)



2

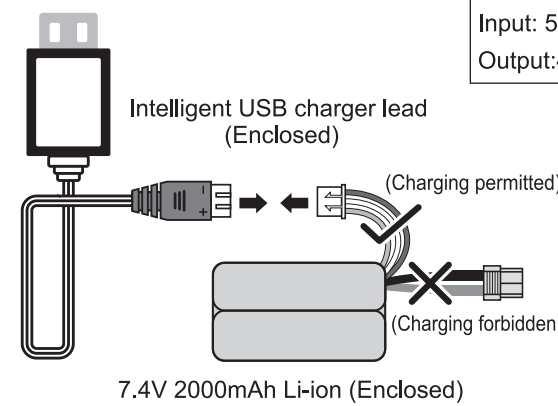


2

BATTERY CHARGING INSTRUCTIONS

CHARGING METHODS

Connect the white port of Li-ion to USB charging port, as shown in the Figure, and ensure port can be connected tightly and correctly, then insert the USB charging plug into power adapter, and perform charging.



BATTERY/USB PARAMETERS

Battery specifications: 18650
7.4V 2000mAh Li-ion
Intelligent USB balance charger with overcharge protection
Input: 5.0V 1-2A
Output:4.2V 800mAh X2

INDICATOR LIGHT STATUS AT THE TIME OF CHARGING:

Uncharged state: red light always lit
Charged state: Red light always lit + Green light flashes
Full charging state: green light always lit
Charging period: 5-7 hours
When battery is charged, please pull off the USB charger lead in time.

Precautions Of Li-ion

- Battery can be charged only by originally configured USB charger lead;
- Be sure to charge with white big-socket port while not the yellow socket;
- 7.4V Li-ion must be equipped with 5V USB charging plug;
- The Li-ion with damaged appearance can't be charged, to avoid fire hazards resulted from spontaneous combustion.
- Li-ion must be charged in sheet iron box;
- Battery should be charged within specified charging period.

Safe Usage Instructions for Li-ion

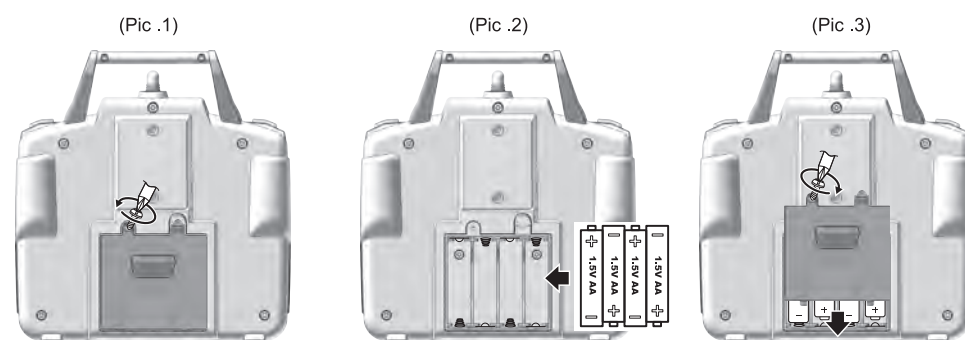
- Li-ion is of higher danger compared with other batteries. Be sure to carefully read the instructions and follow precautions and charging methods before usage.
- This company won't bear any responsibility resulted from improper usage.
- It is strictly forbidden to charge Li-ion with non-original charger, to avoid explosion and fire hazards. Impact, dismantling, inverse connection of positive and negative polarities and incinerating battery are strictly forbidden, to avoid short circuit resulted from metal objects' impacting positive and negative polarities of battery. And please prevent sharp objects from penetrating battery, to avoid catching fire of battery.
- Be prudent and careful to perform charging, to ensure charging can be performed within your visibility range.
- Charger should be out of reach of children to avoid danger.
- The degraded battery shouldn't be charged, otherwise, battery expansion, deformation, explosion even fire hazard will occur, endangering safety and lives and properties.
- The discarded batteries should be recovered by strictly following national or regional waste disposal decrees, so as not to pollute environment.

3



Installation of Remote Control Battery

- Loosen the screw of battery cover by screwdriver and take out battery cover. (Pic .1)
- Put four 1.5V "AA" batteries (batteries need to be purchased separately) into the battery box to the right polarity at the bottom of remote control. (Pic .2)
- Install the battery cover and tighten the screw. (Pic .3)



ATTENTION: Batteries shall be put to the right polarity.

BATTERY PRECAUTIONS

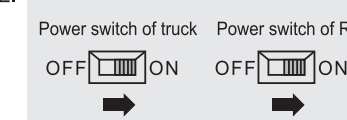
- The truck is equipped with a set of 7.4V 2000mAh Li-ion, and the remote control is equipped with 4 1.5V "AA" batteries.
- Please install and dismantle battery in correct polarity and voltage. The battery shouldn't be short-circuited.
- Don't charge non-rechargeable batteries.
- Please charge rechargeable batteries under adults' custody.
- Please take out the rechargeable batteries from the product before charging.
- Different type of batteries shouldn't be used at the same time.
- Only batteries enclosed or recommended can be used.
- Batteries without power should be taken out from product. Please take out the batteries if the product isn't used for a long time.
- The power port shouldn't be short-circuited.
- The charging time is about 5-7 hours.
- Don't connect to power more than recommended. When using USB, please check if the wire, plug, shell and other parts are damaged or not. In case of any damage, don't use it till it's repaired well.

4



The match of R/C frequency and power on

This product is controlled by the frequency of 2.4GHz. When playing it at the first time, please turn on the power and wait for the automatically matching of frequency. The sound "beeps" given by the product indicates that the frequency is matched successfully.



Control of light and sound

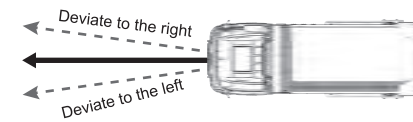


Press this button to turn on the sound, and press once more to turn it off.

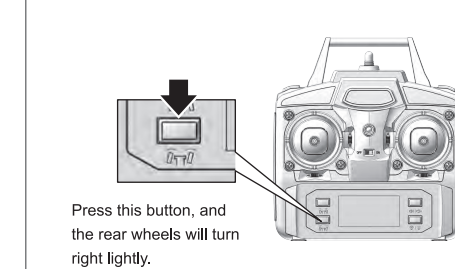
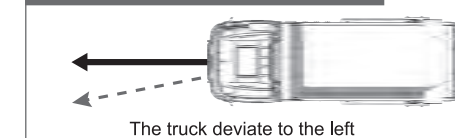
Press this button to turn on the light, and press once more to turn it off.

The operation of front wheel

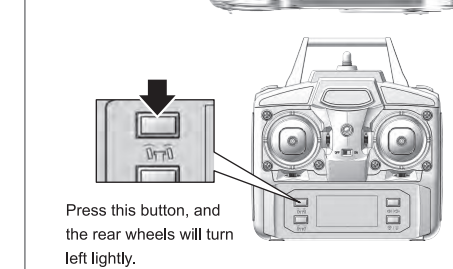
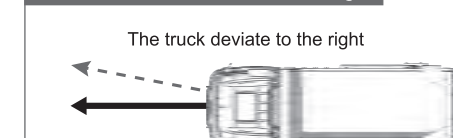
When the car can't go straightly, please control the wheel to the left or right fine tuning.



Rectification of deviation to the left



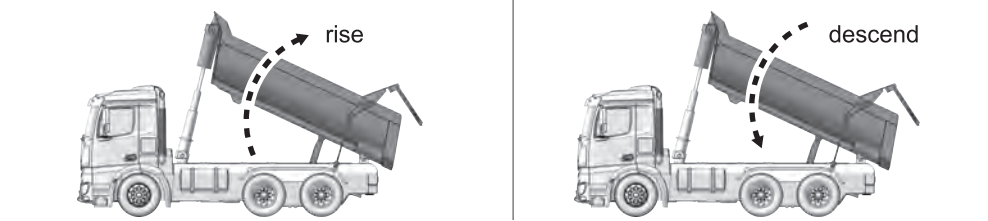
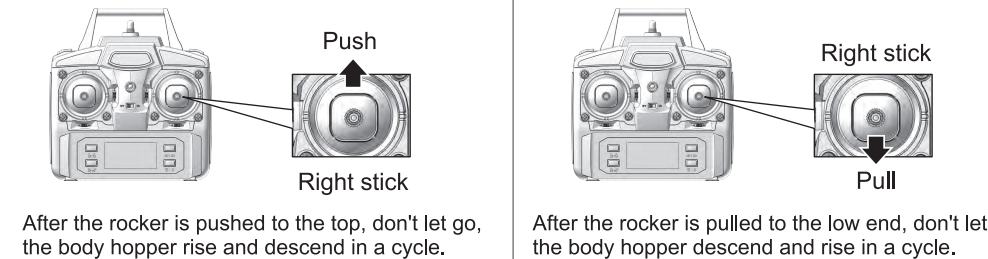
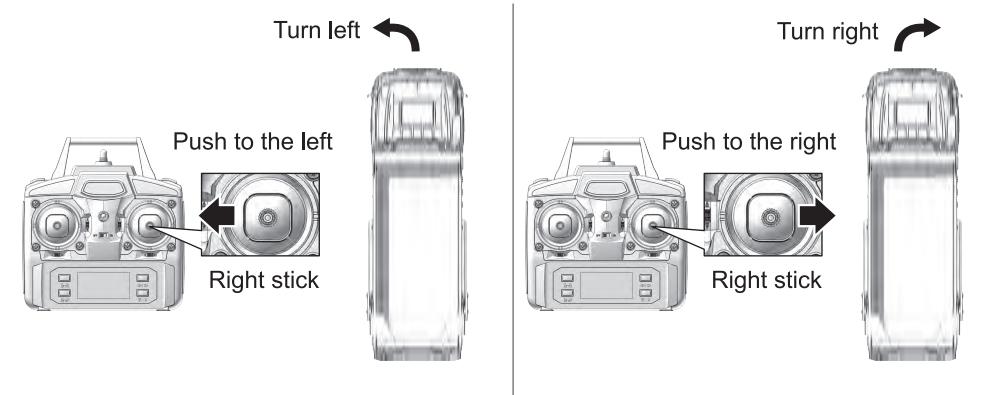
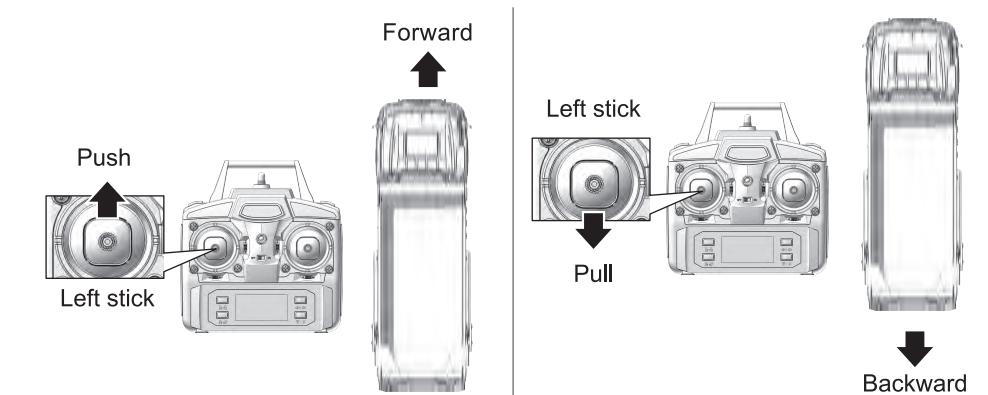
Rectification of deviation to the right



5



Operation of playing the truck



6



6